

Specification Data	
Job Name	
Type	
Catalog #	
Comments	



## PRODUCT OVERVIEW

The CSEN1 is an intelligent wireless lighting controller that opens an exciting integration path for LED Luminaires. The CSEN1 is a SimplySnap lighting controller with integrated occupancy detection and a dawn to dusk photocell.

The integrated sensors and wireless control create a simplified and cost-effective solution for indoor and outdoor lighting control. The CSEN1 autodetects 0-10V Drivers and D4i Drivers to simplify installation.

The CSEN1 supports Dawn to Dusk persistence when communications are lost with the Site Controller (DLC LLLC). The CSEN1 and a SimplySnap Site Controller makes it easy to comply with ASHRAE 90.1, Title 24, DLC NLC, D4i, and other energy requirements today and in the future.

Product #	Description
CSEN1-H-W-ZHA	Sensor Controller, White, Zhaga
CSEN1-H-G-ZHA	Sensor Controller, Gray, Zhaga
CSEN1-MASK	Motion Mask
CSEN1-ZHA-ADPT-22	Wired Adapter for 22mm Knockout
CSEN1-ZHA-ADPT-33	Wired Adapter for 33mm Knockout

## KEY FEATURES:

- Seamless SimplySnap Integration
- Zhaga Book 18 receptacle support
- Integrated Dual PIR Occupancy Sensing
- Integrated Photocell enables dusk-to-dawn operation
- DLC Certification for both Indoor and Outdoor
- Dusk to Dawn Persistence via Occupancy Sensor and Photocell while the Site Controller is offline
- Self-healing 2.4GHz SNAP Mesh Networking
- IEC 62368 DALI-2 Certified – D4i Certified
- D4i - Type D – Single Master Controller – Part 351
- D4i - Power Monitoring, Diagnostics, and Asset Data when used with a D4i LED Driver
- D4i Requires active DALI PWR Supply via D4i Driver
- Requires an Aux PWR Supply via the LED Driver

### 0-10V LED Drivers:

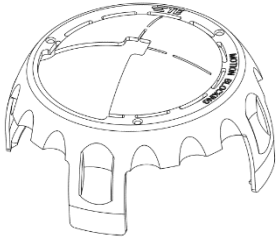
- Requires DIM to OFF Feature
- Requires Aux PWR via 0-10V LED Driver

## SPECIFICATIONS:

Dimensions	3.1" D x 1.6" H (80mm D x 42mm H)
Input Power	12-24 VDC +/- 10%, 840mW
Operating Environment	-40°C to +70°C 10% to 95% RH, non-condensing
Enclosure Rating	IP66
Dimming	Autodetects 0-10V (10mA Sink max) or D4i Dimming
Photocell	Dusk (10fc) Dawn (40fc)
Motion Sensor	PIR, up to 40 ft. height (12m)
Radio	SNAP 2.4GHz; 802.15.4 +20 dBm Transmit Power -105 dBm Receive Sensitivity
D4i LED Drivers	Limited to 4 D4i LED Drivers
Certifications	FCC, IC, cULus, CE, DLC, RoHS, D4i
Warranty	5 Years, <a href="#">Warranty Terms</a>

## MASKING THE LENS

A motion blocking mask, with one open quadrant exposed is sold as an accessory. The mask easily snaps over the top of the Combo Sensor. Additional quadrants can be broken away by the installer.



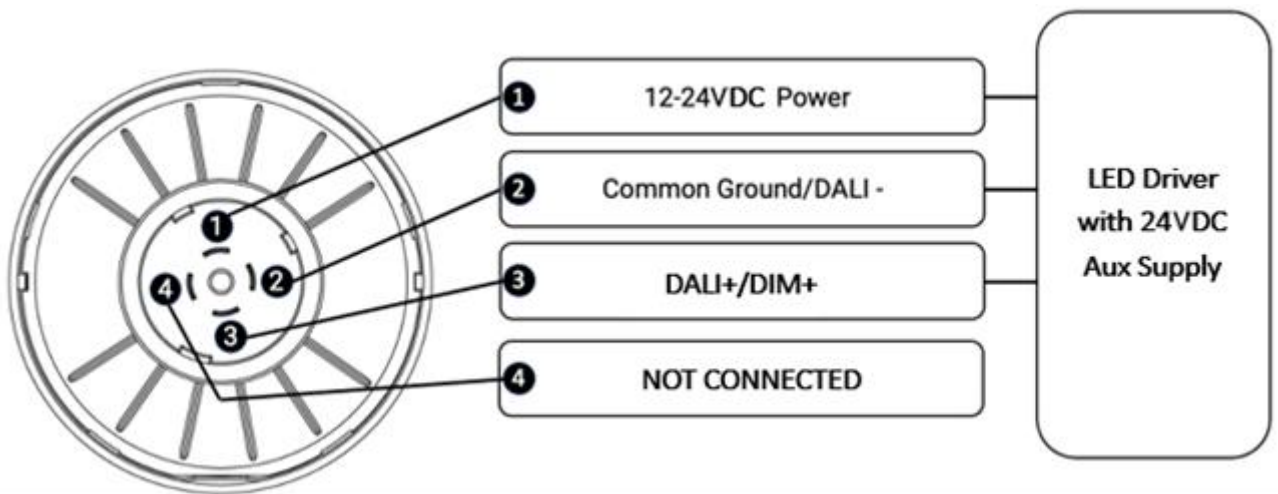
## STATUS LEDS

POWER LED	STATUS
Blue	On for 3 seconds at Startup, then Off
STATUS LED	STATUS
Red	No script on the device
Blinking Red	Communication Error
Blinking Blue	Communication, No Config
Blinking Green	Normal Operation with Motion
Off	Normal Operation, no Motion

## LENS COVERAGE

Mounting Height	Detection Zone Diameter Diameter / Radius
16ft (5m)	66ft (20m) / 33ft (10m)
26ft (8m)	79ft (24m) / 40ft (12m)
40ft (12m)	92ft (28m) / 46ft (14m)

## WIRING DIAGRAM



Patented – Virtual marking at <https://www.synapsewireless.com/about/patents>